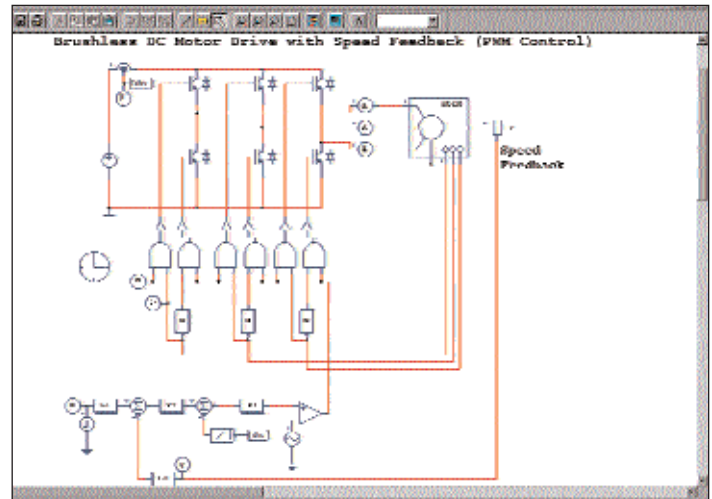


Motor Drive Module

For adjustable speed drives and motion control

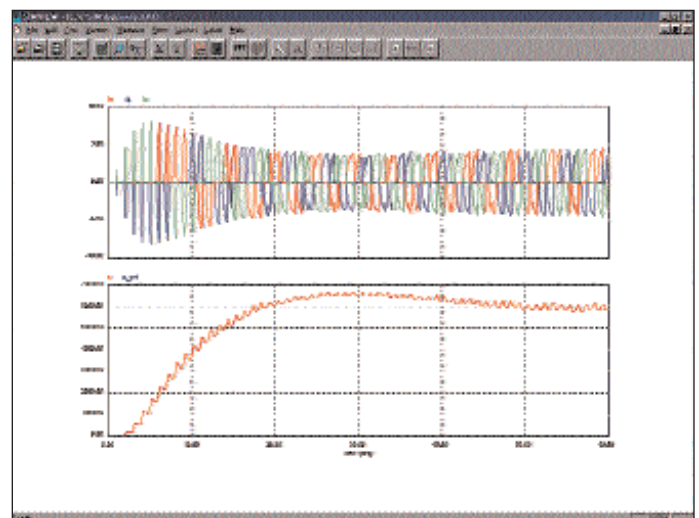
The Motor Drive Module is an add-on module to the PSIM software. It provides the necessary elements for motor drive system studies. Different machine models and mechanical load models are available. With the Motor Drive Module, PSIM provides a powerful simulation environment for various motor drive system studies.



Brushless DC motor drive with speed feedback

The Motor Drive Module contains the following elements:

- 3-phase squirrel-cage IM (linear and with saturation)
- 3-phase wound-rotor IM (linear and with saturation)
- PM brushless dc machine with trapezoidal back emf
- PM synchronous machine with sinusoidal back emf
- Externally-Excited Synchronous machine
- Switched reluctance machine
- DC machine
- General-type mechanical load
- Constant-torque mechanical load
- Constant-power mechanical load
- Constant-speed mechanical load
- Gear Boxes
- Torque sensor
- Speed sensor



Speed control of the brushless DC motor

Key Features :

- Easy and simple simulation of motor drive systems
- Common-used machine and mechanical load models